

Specification Sheet LX 2119

Roof Drainage DRAINJET® Series 49 (DJ) with flat cover

Main drainage

Siphonic flow

Silent Power

Discharge rate:	12.0 l/s
Water height:	35 mm
Roof penetration:	-
Diameter:	DN 70
LX-Number:	LX 2119
Weir height:	0 mm
Cover:	not ventilated
Downpipe:	not ventilated
Downpipe height:	4.2 m
Drainage:	into ground pipe

LX 2119 Piece list

1 x Art.-No. Choose drain on page 2!

1 x Art.-No. 01401.070X, LORO-X pipe with one socket

2 x Art.-No. 00350.070X, LORO-X bend

1 x Art.-No. 01201.070X, LORO-X pipe with one socket

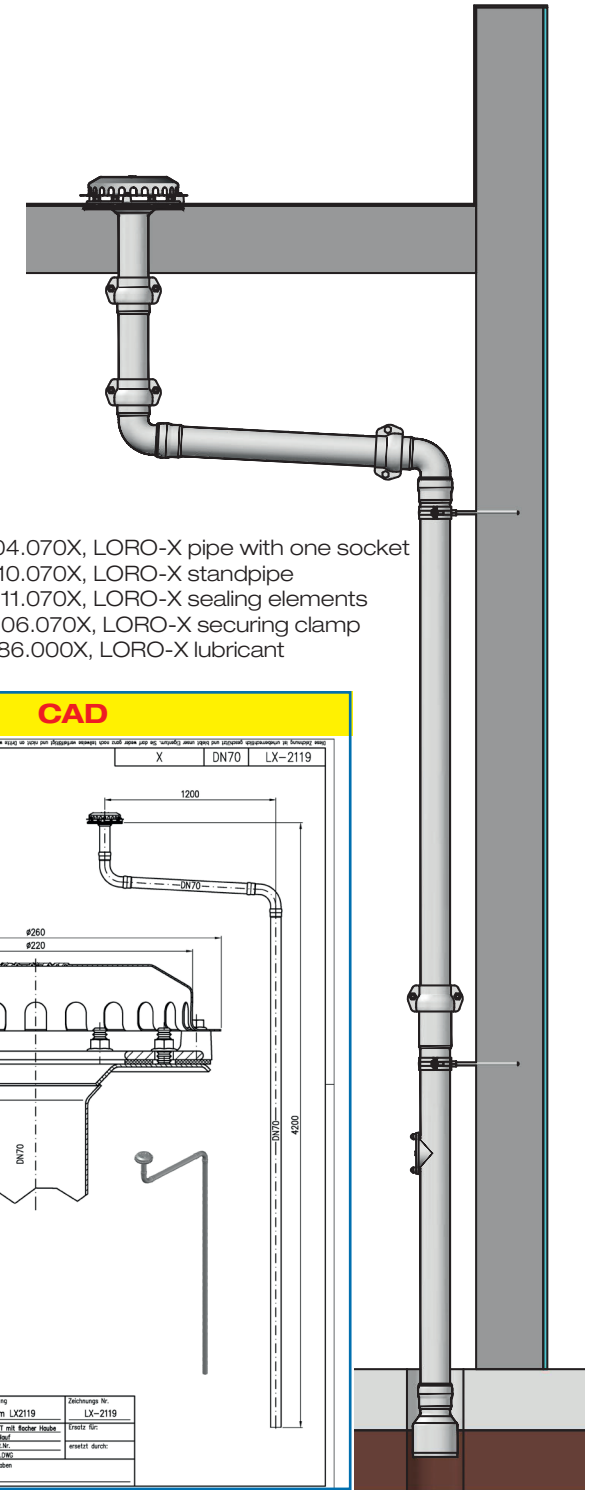
1 x Art.-No. 01004.070X, LORO-X pipe with one socket

1 x Art.-No. 05510.070X, LORO-X standpipe

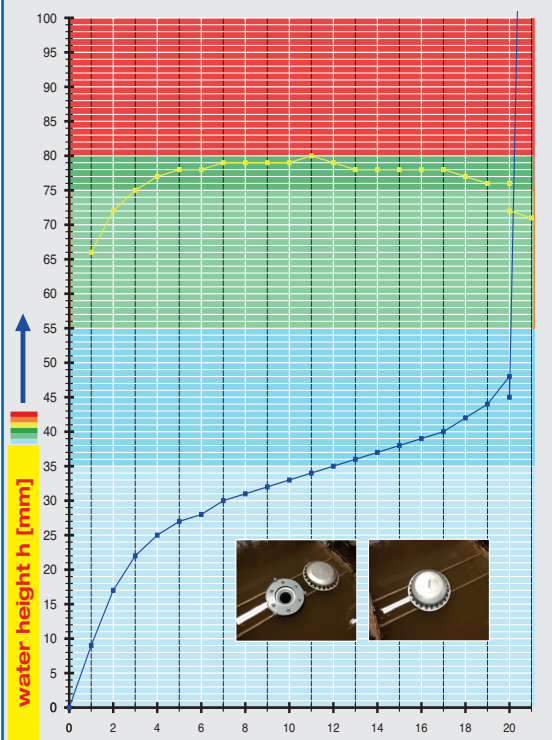
6 x Art.-No. 00911.070X, LORO-X sealing elements

3 x Art.-No. 00806.070X, LORO-X securing clamp

1 x Art.-No. 00986.000X, LORO-X lubricant

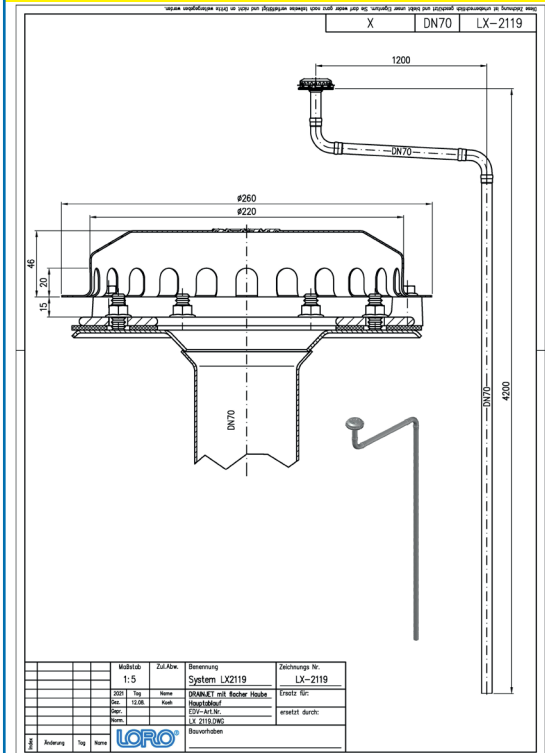


hQ - Discharge curve



System power

CAD



System shape

Water height	mm	5	10	15	20	25	30	35	40	45	50	55	60	65	70	75
Discharge	l/s		1,2	1,7	2,6	4,0	7,0	12,0	17,0	19,3	20,0	20,0	20,0	20,0	20,0	20,0
Silent Power																

Please choose the respective drain!

DN 70

without thermal insulation:

LX2119-5X

**with clamping flange
one-piece**

for bituminous and
plastic roofing sheets



Drain
Art.-No. 21101.070X

with thermal insulation:

LX2119-8X

**with clamping flange
two-piece**

for bituminous and
plastic roofing sheets



Drain
Art.-No. 21132.070X

LORO-DRAINJET[®] cover,
flat version, height 45 mm,
made of stainless steel



Art.-No. 21001.000X

Trace heating: Lorowerk recommends to check all drains and pipes with regard to their frost-sensibility. Where necessary, these parts should be equipped with a trace heating.